



This PDF document and its contents cannot be sold or used without written permission from ZING WOODWORKS LLC
 Plans, wording and graphics Copyright owned by ZING WOODWORKS LLC



DRAWN: MN	DATE 4/9/2023	ZING WOODWORKS LLC	
CHECKED: N/A		CEDAR BIRDHOUSE	
QA N/A			
UNLESS OTHERWISE SPECIFIED: DIMENSIONS ARE IN INCHES TOLERANCES: ± 0.0625 in		SIZE D	DWG NO TITLE PAGE
		SCALE 1 : 1	PAGE A1
			REV 0

COPYRIGHT

This work and any wording or graphics found in these woodworking plans are for personally use only.
This PDF document and its contents cannot be sold or used without written permission from Zing Woodwork LLC

Plans, wording and graphics Copyright owned by Zing Woodworks LLC

SAFETY WARNING

Woodworking machinery can cause injury from improper operation or from poor maintenance.
Individual machines must be evaluated for specific operating hazards.

Make sure you use hand, eye and hearing protection when using power equipment & always practice safety.

Zing Woodworks LLC is not responsible for an injuries or harm caused by improper power tool use
or any injuries related to building this project.

TOOLS NEEDED



MITER SAW



SANDER



18 GA NAILER

MATERIALS NEEDED



STANDARD LUMBER
(1) CEDAR FENCE PICKET
CEDAR ROOF SHINGLES



WOOD GLUE



1" - 18 GA NAILS
(1) #6 - 1" WOOD SCREW



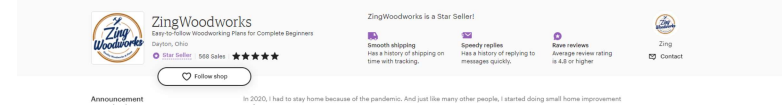
(2) SMALL BOX HINGES

VISIT OUR ZING WOODWORKS ETSY STORE FOR MANY MORE WOODWORKING PLANS

https://www.etsy.com/shop/ZingWoodworks?ref=simple-shop-header-name&listing_id=1365901170



WOODWORKING
MADE EASY



PLEASE FOLLOW MY YOUTUBE CHANEL FOR MORE PROJECT VIDEOS



Zing Woodworks
@zingwoodworks2137
292 subscribers

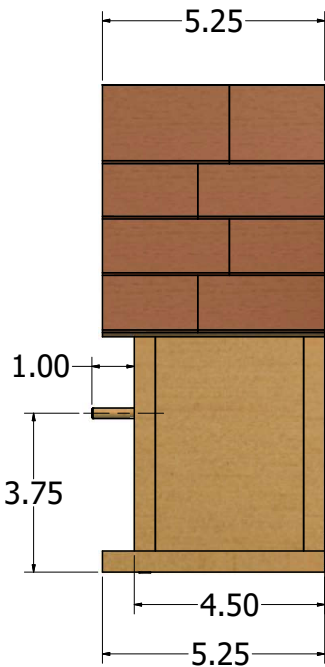
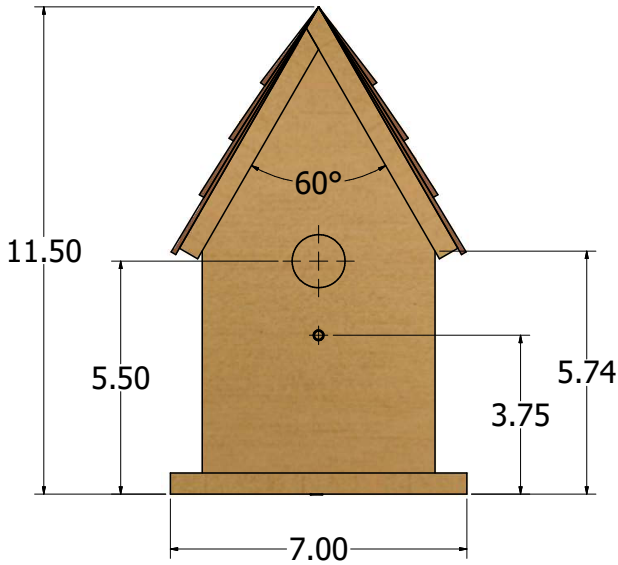
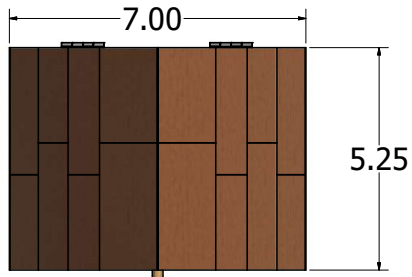
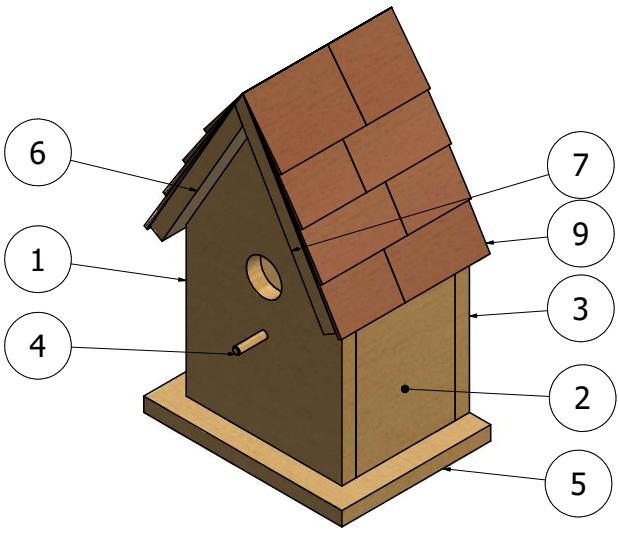
HOME VIDEOS SHORTS PLAYLISTS COMMUNITY CHANNELS ABOUT



DRAWN: MN	DATE 4/9/2023	ZING WOODWORKS LLC	
CHECKED: N/A		CEDAR BIRDHOUSE	
QA N/A			
UNLESS OTHERWISE SPECIFIED: DIMENSIONS ARE IN INCHES TOLERANCES: ± 0.0625 in		SIZE D	DWG NO B-NOTES PAGE
		SCALE	PAGE B1
			REV 0

PARTS LIST			
ITEM	QTY	PART NUMBER	MATERIAL
1	1	TOP	CEDAR
2	2	RIGHT	CEDAR
3	1	BACK	CEDAR
4	1	FOOTHOLD	CEDAR
5	1	BOTTOM	CEDAR
6	1	LEFT ROOF	CEDAR
7	1	RIGHT ROOF	CEDAR
8	2	CEDAR SHINGLE ROOF	CEDAR
16	2	Mount Hinge with Holes	Generic
17	1	1 in Wood Screws	Generic

BIRDHOUSE ASSEMBLY



YOU CAN BUY THE CEDAR SHINGLES FROM BIG BOX STORES

16" Eastern White Cedar Undercourse Shingles (12.5 sq. ft.)
Model Number: BAU1032 | Menards® SKU: 1071011



EVERYDAY LOW PRICE \$16.97
 11% MAIL-IN REBATE Good Through 4/9/23 \$1.87
FINAL PRICE **\$15¹⁰** /bndl

You Save \$1.87 with Mail-in Rebate

- Covers 12.5 square feet at a 5" exposure
- Utility grade
- Also ideal as construction shims
- Not recommended for finish application on roofing or siding

[View More Information >](#)

Qty: [ADD TO CART](#)

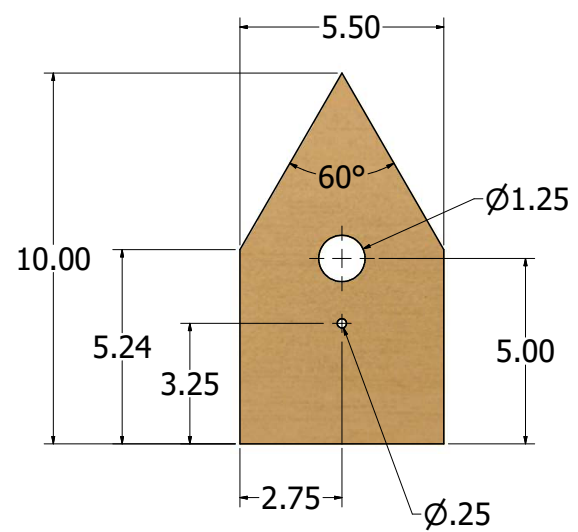
Compare Add to Lists Add to Gift Registry



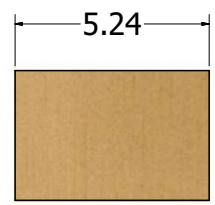
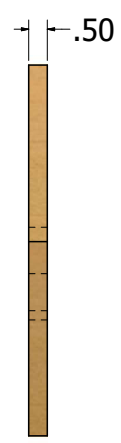
DRAWN: MN	DATE 4/9/2023
CHECKED: N/A	
QA N/A	
UNLESS OTHERWISE SPECIFIED: DIMENSIONS ARE IN INCHES TOLERANCES: ± 0.0625 in	

ZING WOODWORKS LLC			
CEDAR BIRDHOUSE			
SIZE D	DWG NO	PAGE	REV 0
SCALE 1 / 1.85	TOTAL ASSEMBLY	C1	

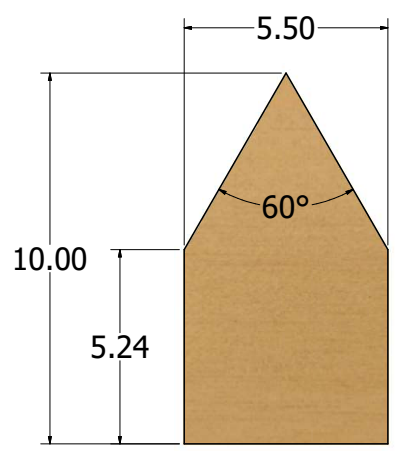
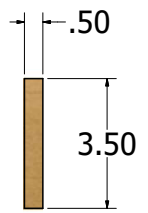
CUT LIST



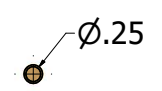
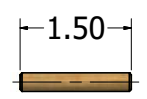
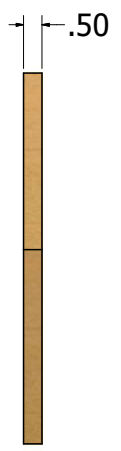
1 TOP MATERIAL: CEDAR QTY: 1



2 RIGHT MATERIAL: CEDAR QTY: 2



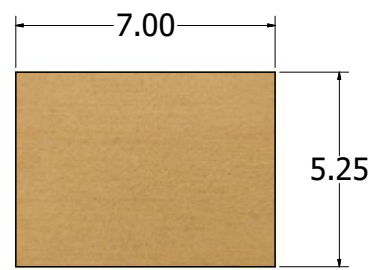
3 BACK MATERIAL: CEDAR QTY: 1



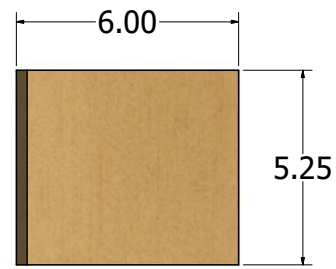
4 FOOTHOLD MATERIAL: CEDAR QTY: 1



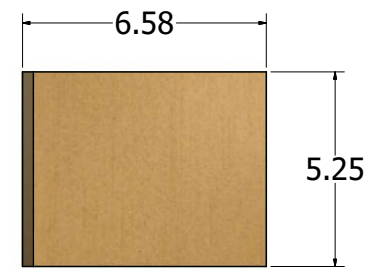
CAN YOU 1/4" DOWEL PIN



5 BOTTOM MATERIAL: CEDAR QTY: 1



6 LEFT ROOF MATERIAL: CEDAR QTY: 1



7 RIGHT ROOF MATERIAL: CEDAR QTY: 1

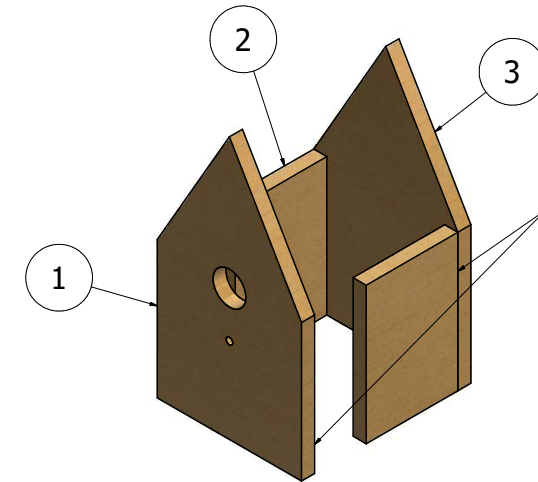
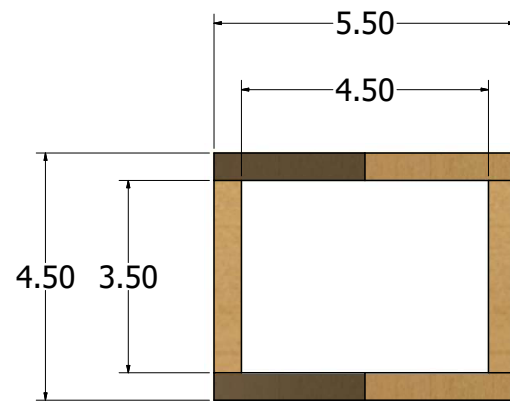
This PDF document and its contents cannot be sold or used without written permission from ZING WOODWORKS LLC
Plans, wording and graphics Copyright owned by ZING WOODWORKS LLC



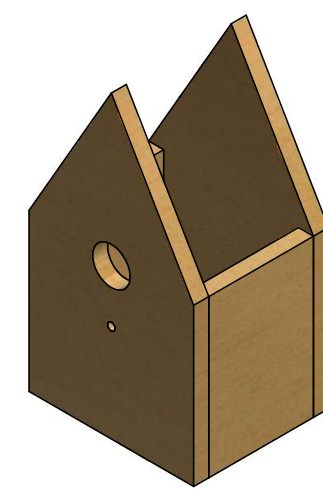
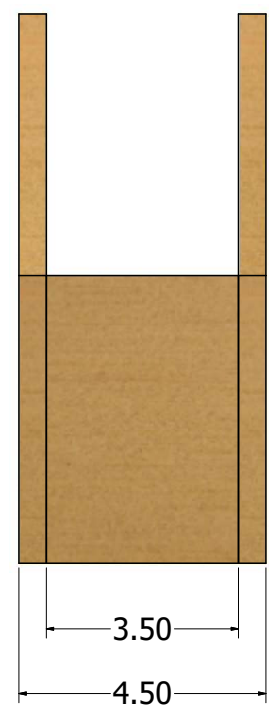
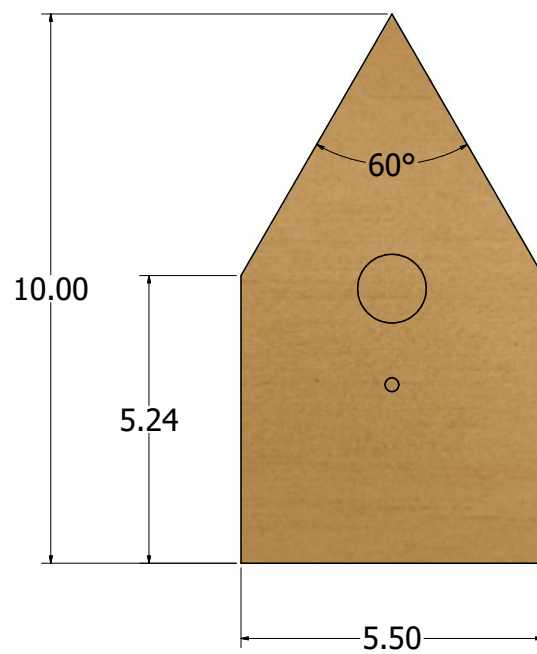
DRAWN: MN	DATE 4/9/2023
CHECKED: N/A	
QA N/A	
UNLESS OTHERWISE SPECIFIED: DIMENSIONS ARE IN INCHES TOLERANCES: ± 0.0625 in	

ZING WOODWORKS LLC		
CEDAR BIRDHOUSE		
SIZE D	DWG NO TOTAL ASSEMBLY	PAGE C2
SCALE 1/2		REV 0

STEP 1: ASSEMBLE THE WALLS AROUND



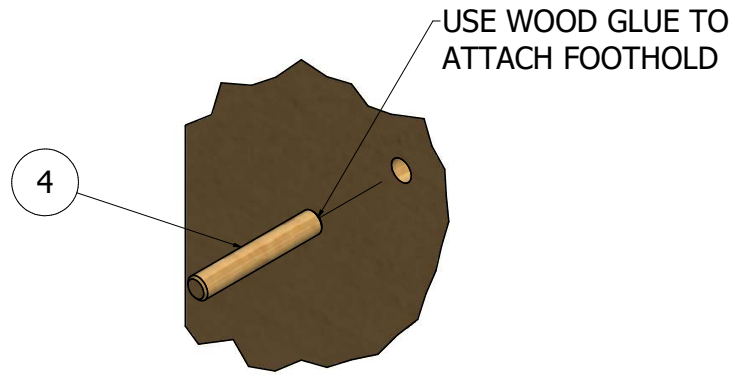
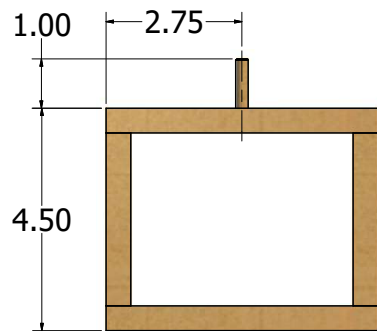
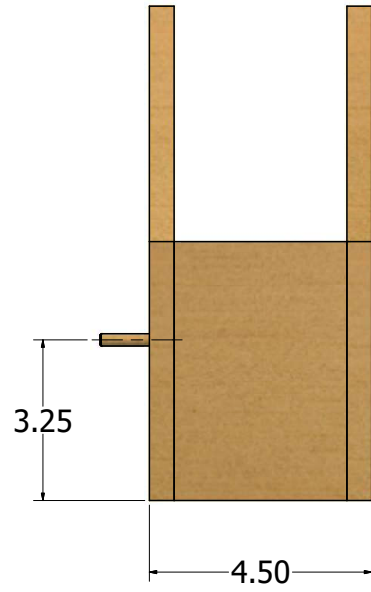
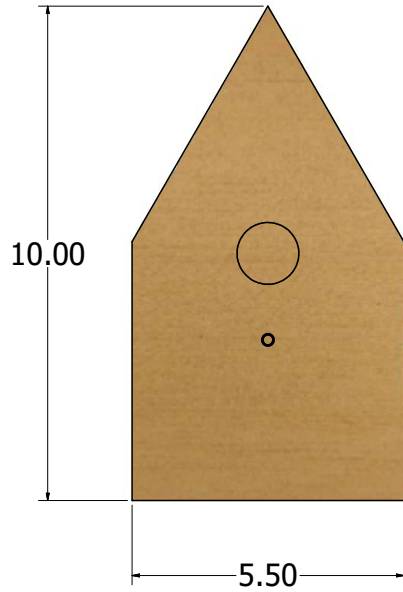
USE WOOD GLUE AND
1" - 18 GA NAILS TO ATTACH



DRAWN: MN	DATE 4/9/2023	ZING WOODWORKS LLC	
CHECKED: N/A		CEDAR BIRDHOUSE	
QA N/A			
UNLESS OTHERWISE SPECIFIED: DIMENSIONS ARE IN INCHES TOLERANCES: ± 0.0625 in		SIZE D	DWG NO BUILDING STEPS
		SCALE	PAGE D1
			REV 0

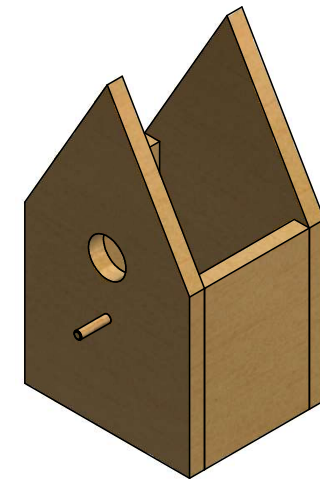
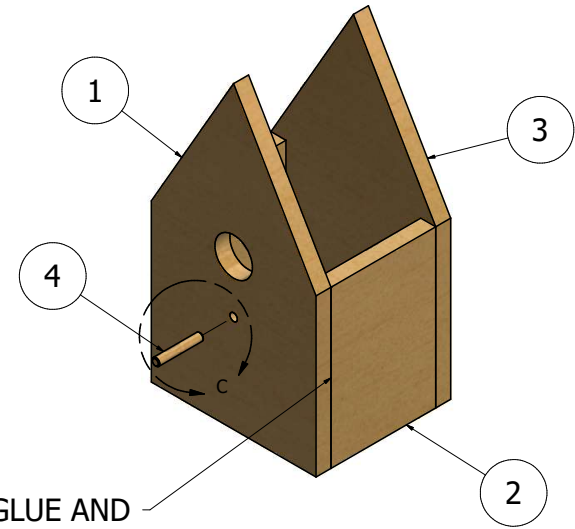
This PDF document and its contents cannot be sold or used without written permission from ZING WOODWORKS LLC
Plans, wording and graphics Copyright owned by ZING WOODWORKS LLC

STEP 2: ATTACH FOOTHOLD



DETAIL C
SCALE 1.5/1

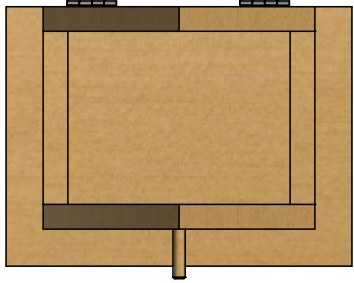
USE WOOD GLUE AND
1" - 18 GA NAILS TO ATTACH



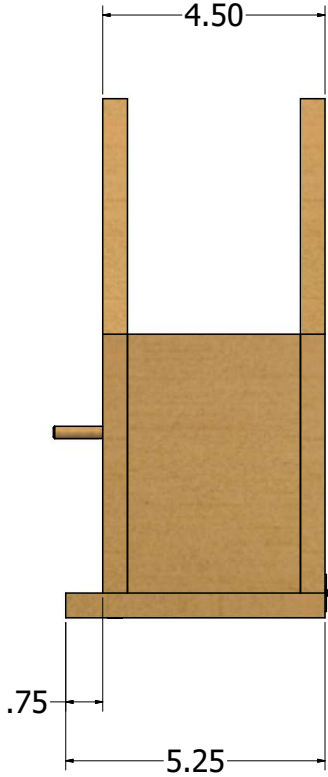
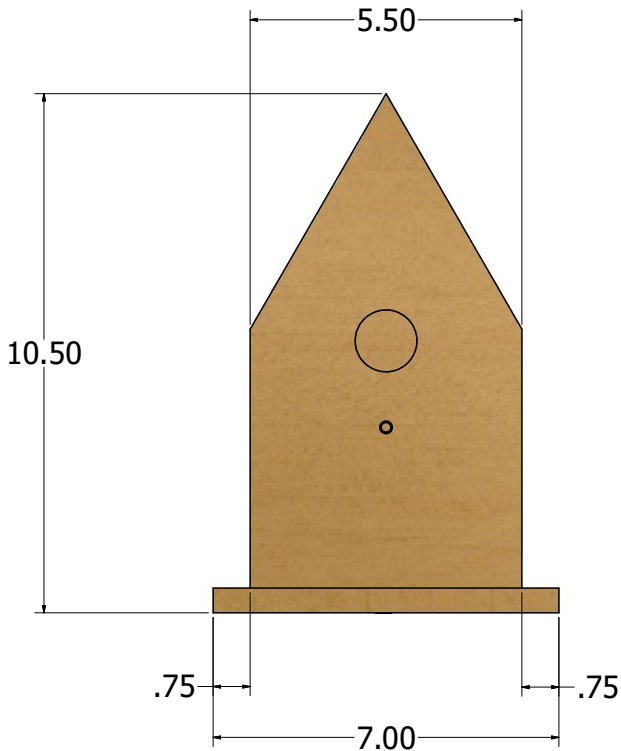
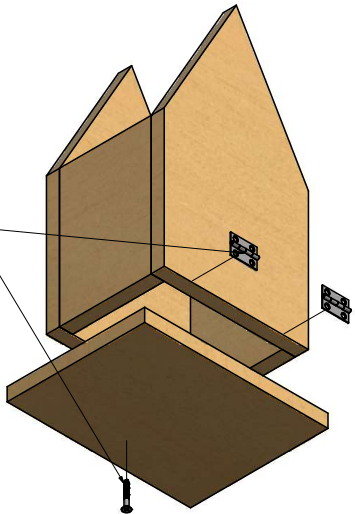
DRAWN: MN	DATE 4/9/2023
CHECKED: N/A	
QA N/A	
UNLESS OTHERWISE SPECIFIED: DIMENSIONS ARE IN INCHES TOLERANCES: ± 0.0625 in	

ZING WOODWORKS LLC		
CEDAR BIRDHOUSE		
SIZE D	DWG NO BUILDING STEPS	PAGE D2
SCALE		REV 0

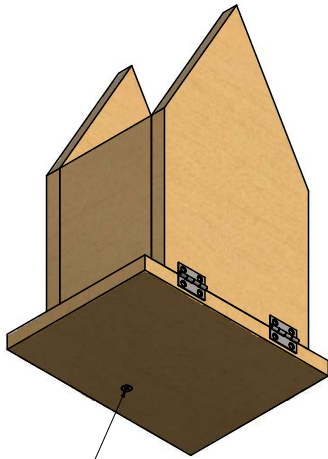
STEP 3: ATTACH BOTTOM BOARD



ATTACH BOTTOM BOARD USING SMALL HINGES AND 1" WOOD SCREW



TO OPEN THE BOTTOM FOR CLEAN-UP, UN-SCREW THE SCREW



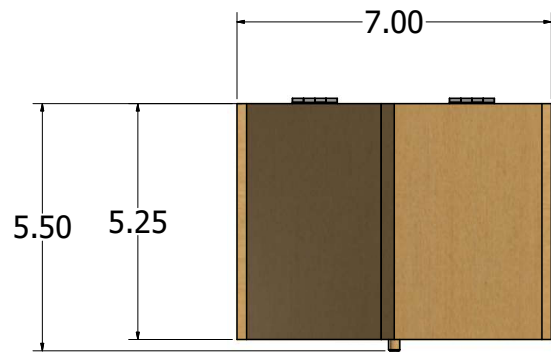
This PDF document and its contents cannot be sold or used without written permission from ZING WOODWORKS LLC
Plans, wording and graphics Copyright owned by ZING WOODWORKS LLC



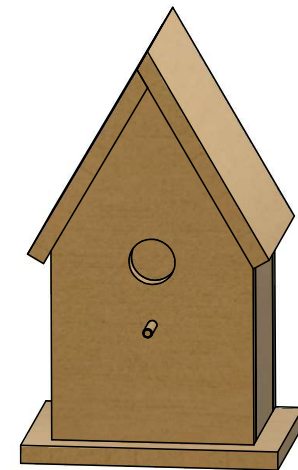
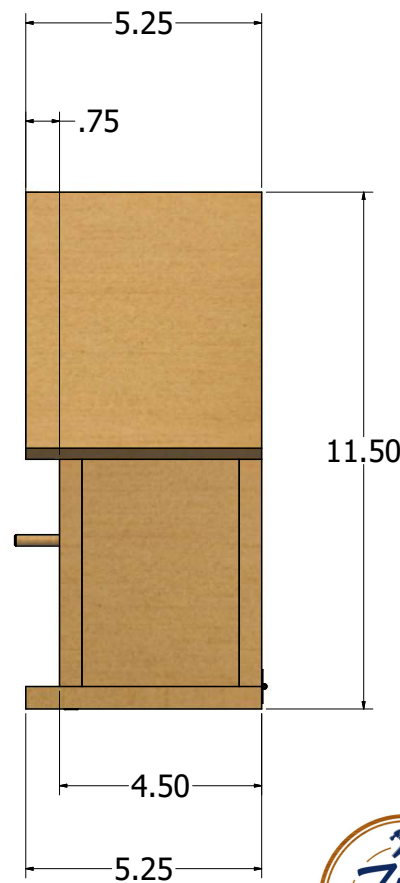
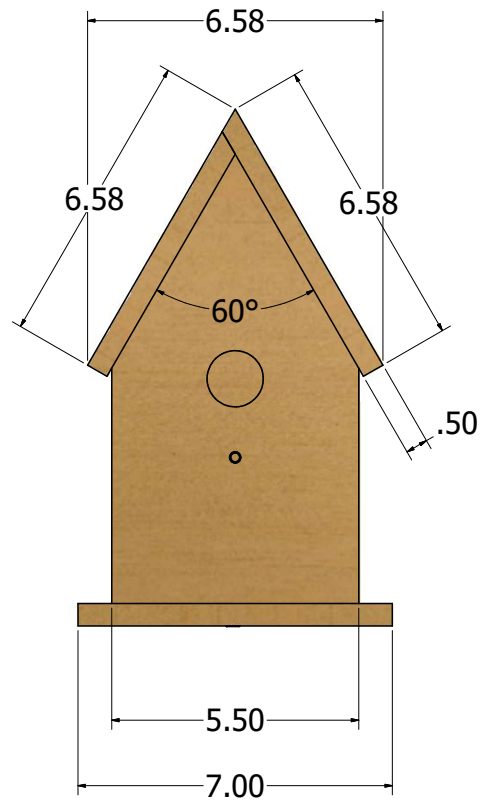
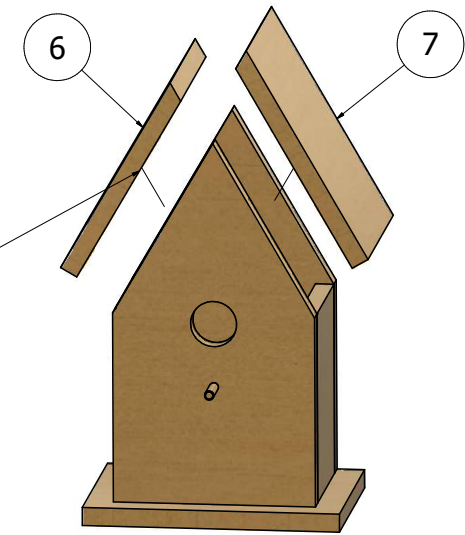
DRAWN: MN	DATE 4/9/2023
CHECKED: N/A	
QA N/A	
UNLESS OTHERWISE SPECIFIED: DIMENSIONS ARE IN INCHES TOLERANCES: ± 0.0625 in	

ZING WOODWORKS LLC		
CEDAR BIRDHOUSE		
SIZE D	DWG NO BUILDING STEPS	PAGE D3
SCALE		REV 0

STEP 4: ATTACH THE ROOF



USE WOOD GLUE AND 1" - 18 GA NAILS TO ATTACH



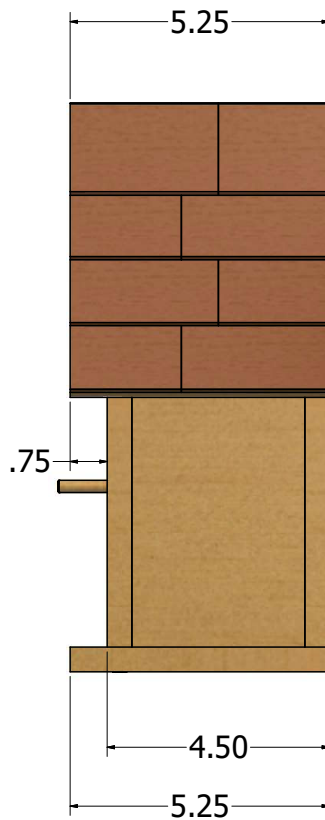
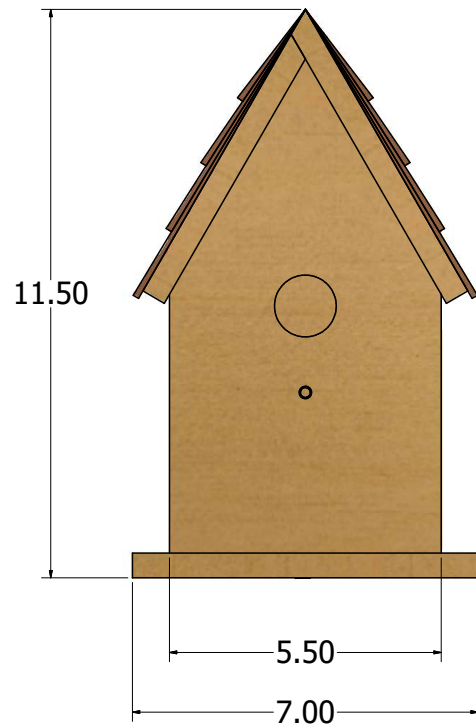
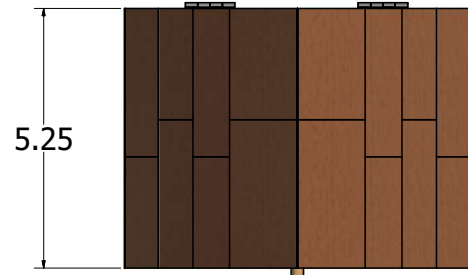
This PDF document and its contents cannot be sold or used without written permission from ZING WOODWORKS LLC
Plans, wording and graphics Copyright owned by ZING WOODWORKS LLC



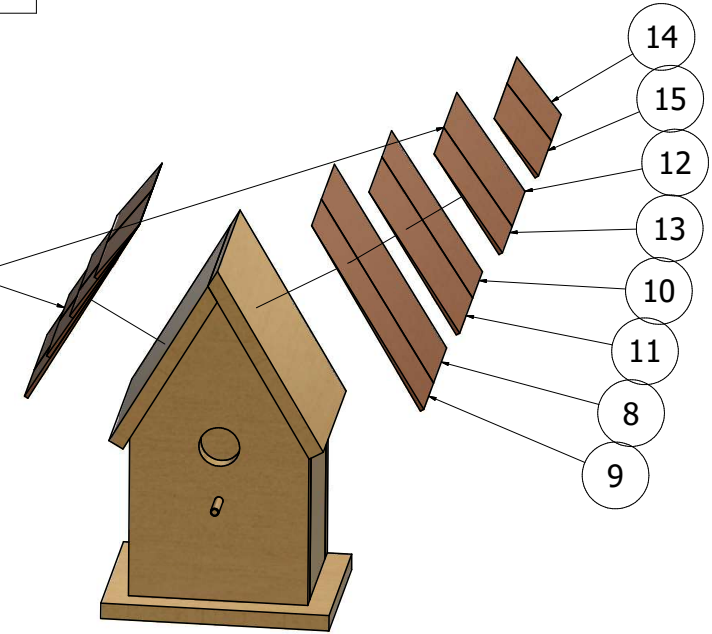
DRAWN: MN	DATE 4/9/2023
CHECKED: N/A	
QA N/A	
UNLESS OTHERWISE SPECIFIED: DIMENSIONS ARE IN INCHES TOLERANCES: ± 0.0625 in	

ZING WOODWORKS LLC		
CEDAR BIRDHOUSE		
SIZE D	DWG NO BUILDING STEPS	PAGE D4
SCALE		REV 0

STEP 5: ATTACH ROOF SHINGLES



USE WOOD GLUE AND 3/8" STAPLE PINS TO ATTACH



USE CEDAR SHINGLES FOR THE ROOF



This PDF document and its contents cannot be sold or used without written permission from ZING WOODWORKS LLC
Plans, wording and graphics Copyright owned by ZING WOODWORKS LLC



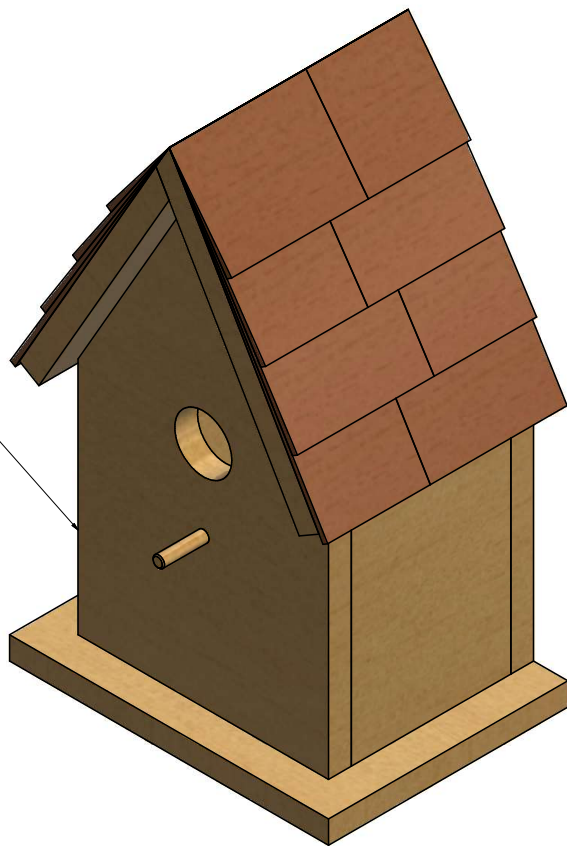
DRAWN: MN	DATE 4/9/2023
CHECKED: N/A	
QA N/A	
UNLESS OTHERWISE SPECIFIED: DIMENSIONS ARE IN INCHES TOLERANCES: ± 0.0625 in	

ZING WOODWORKS LLC			
CEDAR BIRDHOUSE			
SIZE D	DWG NO BUILDING STEPS	PAGE D5	REV 0

FINISHED BIRDHOUSE

HERE ARE SOME OF THE DESIGNS THAT I PAINTED

YOU CAN DECORATE OR COLOR TO YOUR FAVORITE



This PDF document and its contents cannot be sold or used without written permission from ZING WOODWORKS LLC
Plans, wording and graphics Copyright owned by ZING WOODWORKS LLC



DRAWN: MN
CHECKED: N/A
QA: N/A
UNLESS OTHERWISE SPECIFIED:
DIMENSIONS ARE IN INCHES
TOLERANCES: ± 0.0625 in

DATE 4/9/2023

ZING WOODWORKS LLC

CEDAR BIRDHOUSE

SIZE D
SCALE

DWG NO BUILDING STEPS

PAGE

D6

REV 0